

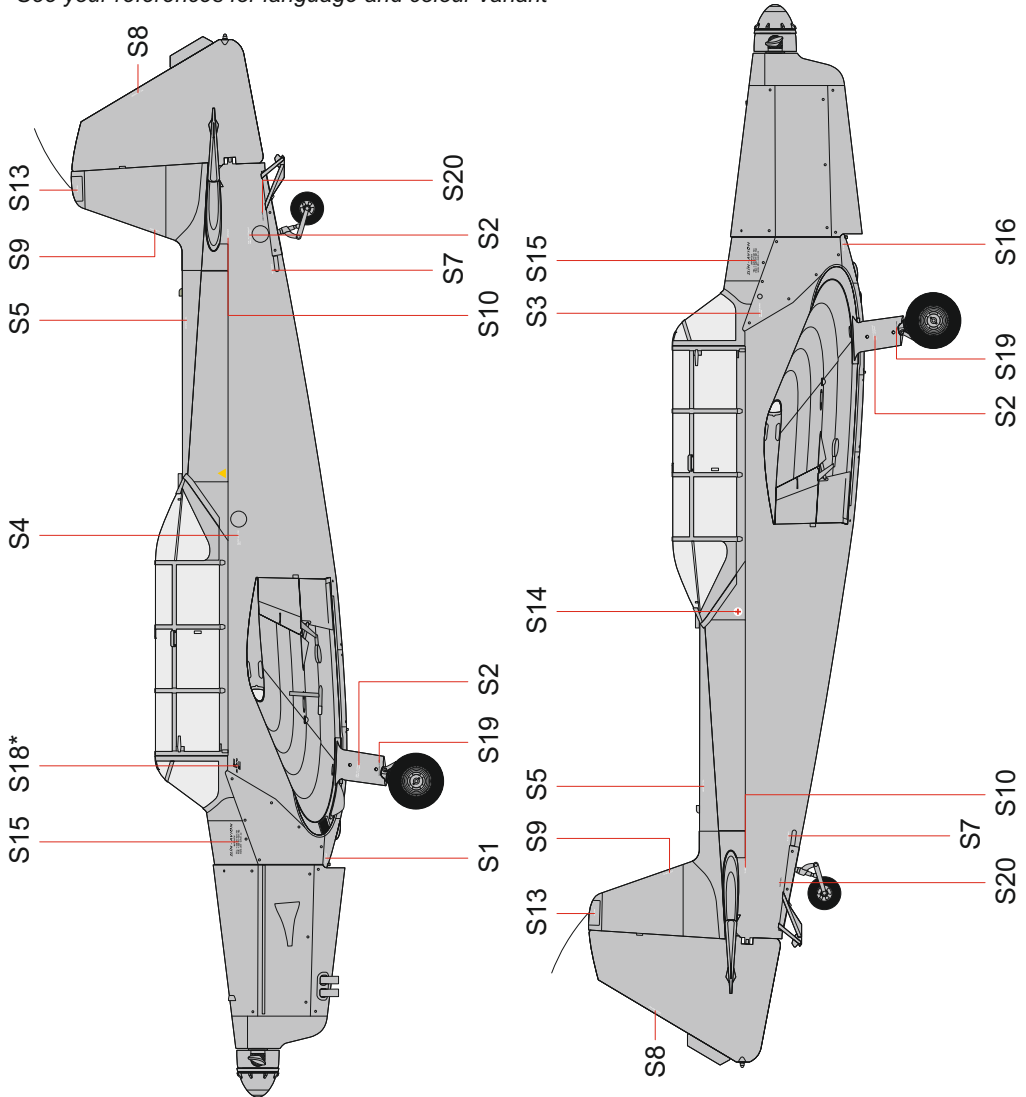
SCALE
1/48

Z-226 stencils

ITEM #
D48092

Important note:

See your references for language and colour variant



DESIGNED EXCLUSIVELY FOR Zlín Z-226 BY EDUARD



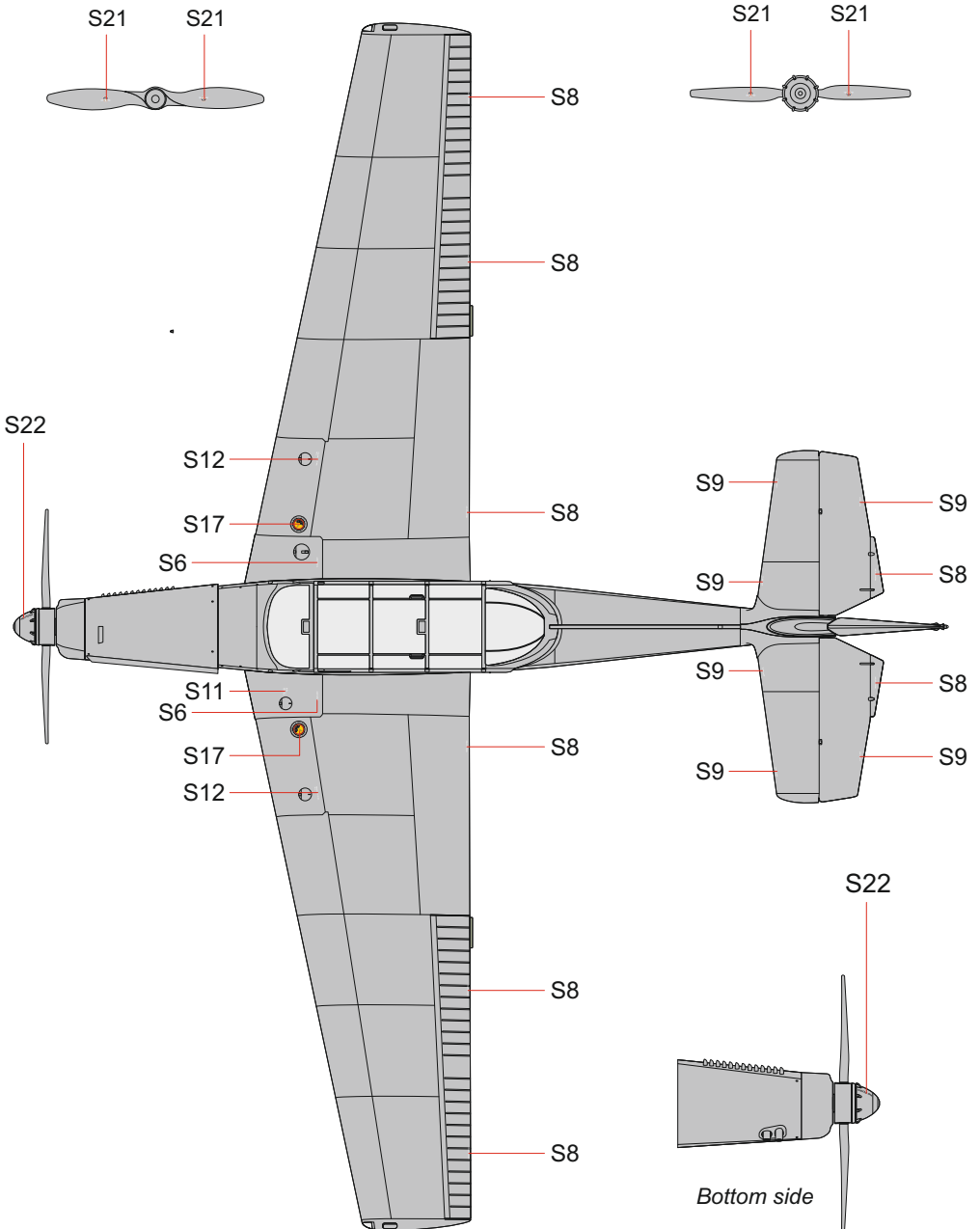
Eduard - Model Accessories, 435 21 Obrnice 170,
Czech Republic

WWW.EDUARD.COM

D48092 Z-226 stencils 1/48



8 591437 562817



Bottom side